



Flow Sens FS1

Thermal Mass Flow Sensor for all-purpose use in Gases

The Flow sensor element consists of two temperature depending platinum-resistors, both deposited on one chip. The low-ohm resistor with a small area is used as a heater, whereas the other high-ohm resistor serves to measure the reference temperature. Using a bridge circuit, the differing resistance value of two elements leads to different (self) heating. The (self) heating is dependent upon the applied voltage, the mass flow, and the media in which the sensor is located. Higher voltage increases self heating, a higher flow rate increases cooling. If the self heating is kept constantly by a suitable controller, the voltage increases with higher flow rates and therefore becomes a measure for the mass flow. As a result of his little thermal mass, this sensor has fast heating and cooling response times. The measuring principle of the sensor can be used for large operation ranges, from 0...0.1m/s up to 100m/s. The Flow Sens is also available with a plastic housing of Ø 6mm. This option provides the user with ideal opportunities to incorporate the element into custom-built applications or specific housings, e.g. into a T-piece.

Advantages

- Easy adaptable for different applications or into housings
- Simple signal processing and calibration
- No mechanical moved components
- Excellent reproducibility
- Excellent long-term stability
- Best price-performance ratio

Applications

- HVAC and building control solutions
- Automotive industry
- Medical devices
- Device monitoring
- Cooling devices
- Food industry



Flow Sens FS1

Thermal Mass Flow Sensor for all-purpose use in Gases

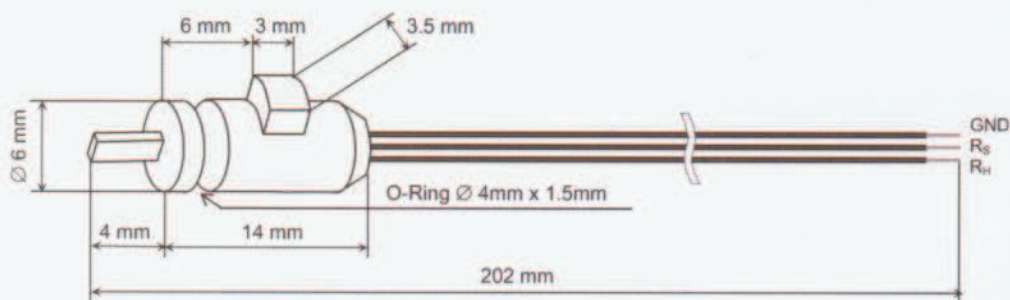
Technical Data

Measuring principle	thermal
Measuring range	0 ... 100 m/s
Response sensitivity	0.01 m/s
Accuracy	< 3% current measuring value (dependent on electronic and calibration)
Response time $t_{63\%}$	Ca. < 2 s
Temperature range	-20 ... + 150 °C
Temperature sensitivity	< 0.1 %/K (dependent on electronic)
Electrical connection	3 pins, Leads AWG 30, insulated with PTFE, or custom specific
Heater	$R_H(0^\circ\text{C}) = 45 \Omega \pm 1\%$
Referenz element	$R_S(0^\circ\text{C}) = 1200 \Omega \pm 1\%$
Required voltages	typical 2 - 5 V at $\Delta T = 30 \text{ K}$ ($0 \leq V_{\text{ström}} \leq 100 \text{ m/s}$)
Max. heater voltage@0 m/s	3V
Substrate material	Low thermal conductivity special ceramic

In general

All data are temporary and valid in air. Other media and higher requirements upon request. No responsibility accepted.

Construction sizes

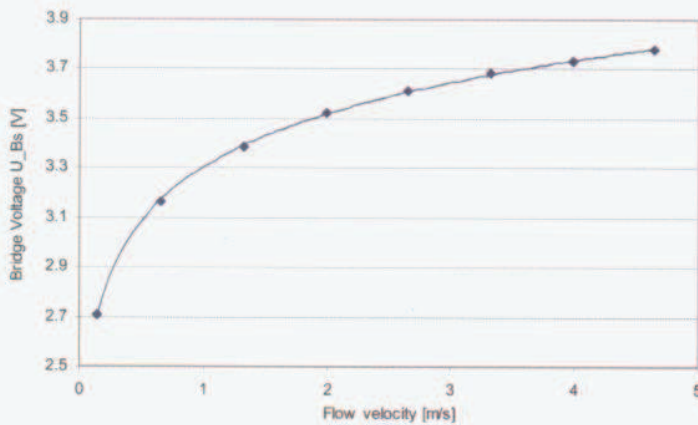




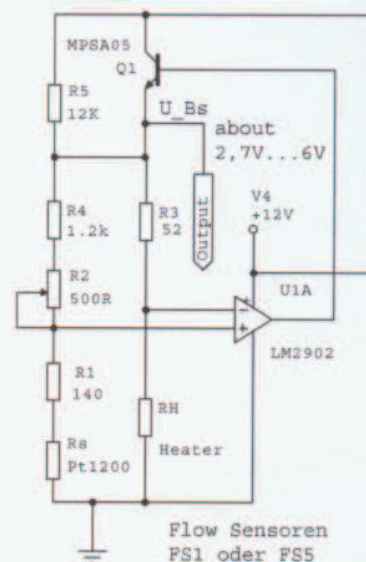
Electronic circuit recommendation of a CTA (constant temperature anemometer)

The two elements (heaters RH and sensor Rs) can be interconnected in accordance with following schematic in a bridge. Resistances R1, R2 and R3 are to be dimensioned correctly according sample circuit to be seen below. The bridge is balanced, if the temperature difference amounts the desired value between Rs and RH of e.g. 30 K. With changing flow rate the bridge supply voltage U_{Bs} changes. The values for R1 and R3 depend on the temperature difference T and the medium which can be measured. They are delivered the customer. For air or other gases can be taken this from following circuit suggestion. R2 should be able to be adjusted for the purpose of the calibration about 10%. The alignment procedure depends on application.

Both circuit and the curve plotting are examples. In the concrete case of application always an individual calibration is necessary.



Typical signal – curve between 0 5 m/s



Customer-specific preparation

The electrical connection and the sensorpackaging we are able to develop and to produce customized.